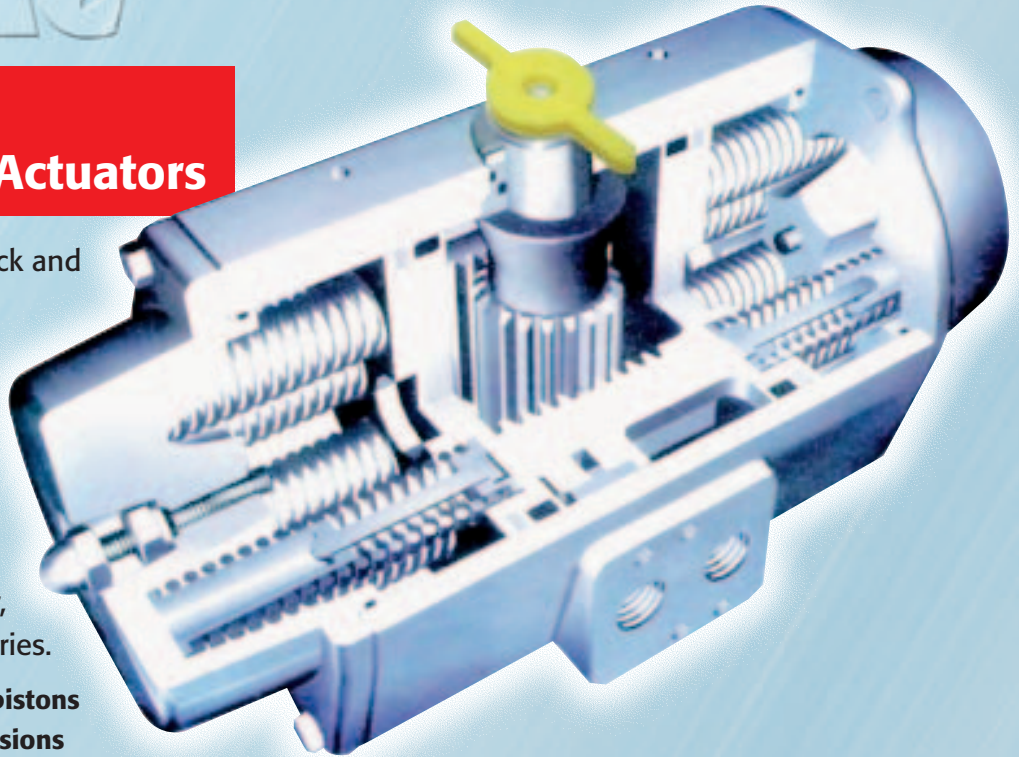


TRIAC®

Stainless Steel Rack & Pinion Actuators

TRIAC® Stainless Steel Rack and Pinion Actuators offer an economical solution to harsh chemical environments and the corrosion resistant requirements of the pharmaceutical, food, beverage, pulp and paper, and petrochemical industries.

- 316 SS body, pinion and pistons
- ISO5211 mounting dimensions
- NAMUR accessory mounting
- Electropolish finish
- Double acting and spring return
- Standard working temperature -20°F to 175°F
- Maximum working pressure 150 psig
- Permanently lubricated



Corrosion Resistant



All Stainless Ball Valve Assemblies

Stainless Steel Rack & Pinion Actuators

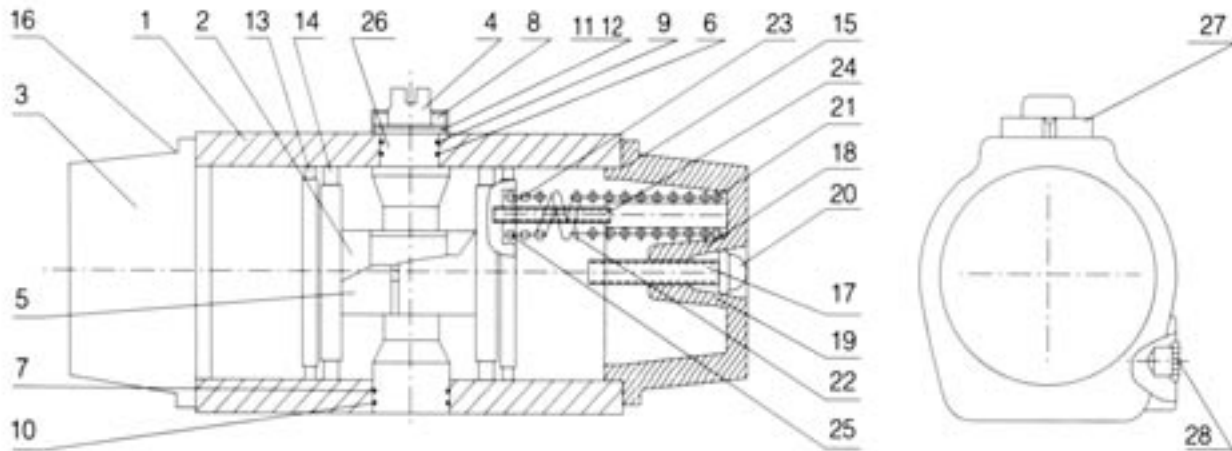
Double Acting Torque (In-Lbs)

MODEL	AIR SUPPLY				
	40	60	80	100	120
SS45DA	71	107	143	178	214
SS60DA	171	256	342	427	512
SS85DA	370	555	740	925	1,110
SS105DA	624	936	1,249	1,561	1,873
SS125DA	1,214	1,822	2,429	3,036	3,643
SS140DA	2,034	3,051	4,068	5,085	6,102
SS160DA	3,102	4,653	6,204	7,755	9,306



Spring Return Torque (In-Lbs)

MODEL	SPRINGS PER SIDE (5 STD)	SPRING TORQUE		AIR SUPPLY							
				40 PSI		60 PSI		80 PSI		100 PSI	
				END	BREAK	END	BREAK	END	BREAK	END	BREAK
SS45SR	3	35	51	20	36	56	72	92	108	127	143
	4	46	68			39	61	75	97	110	132
	5	58	86					57	85	92	120
	6	69	103							75	109
SS60SR	3	79	117	54	92	139	177	225	263	310	348
	4	105	156			100	151	186	237	271	322
	5	132	195					147	210	232	295
	6	158	234							193	269
SS85SR	3	171	247	123	199	308	384	493	569	678	754
	4	228	329			226	327	411	512	596	697
	5	286	412					328	454	513	639
	6	342	494							431	583
SS105SR	3	365	550	74	259	386	571	699	884	1,011	1,196
	4	486	733			203	450	516	763	828	1,075
	5	608	916					333	641	645	953
	6	729	1099							462	832
SS125SR	3	566	841	373	648	981	1,256	1,588	1,863	2,195	2,470
	4	761	1,133			689	1,061	1,296	1,668	1,903	2,275
	5	956	1,416					1,013	1,473	1,620	2,080
	6	1,142	1,690							1,346	1,894
SS140SR	3	920	1,381	653	1,114	1,670	2,131	2,687	3,148	3,704	4,165
	4	1,230	1,850			1,201	1,821	2,218	2,838	3,235	3,855
	5	1,540	2,310					1,758	2,528	2,775	3,545
	6	1,850	2,770							2,315	3,235
SS160SR	3	1,442	2,177	925	1,660	2,476	3,211	4,027	4,762	5,578	6,313
	4	1,929	2,903			1,750	2,724	3,301	4,275	4,852	5,826
	5	2,416	3,637					2,567	3,788	4,118	5,339
	6	2,894	4,363							3,392	4,861



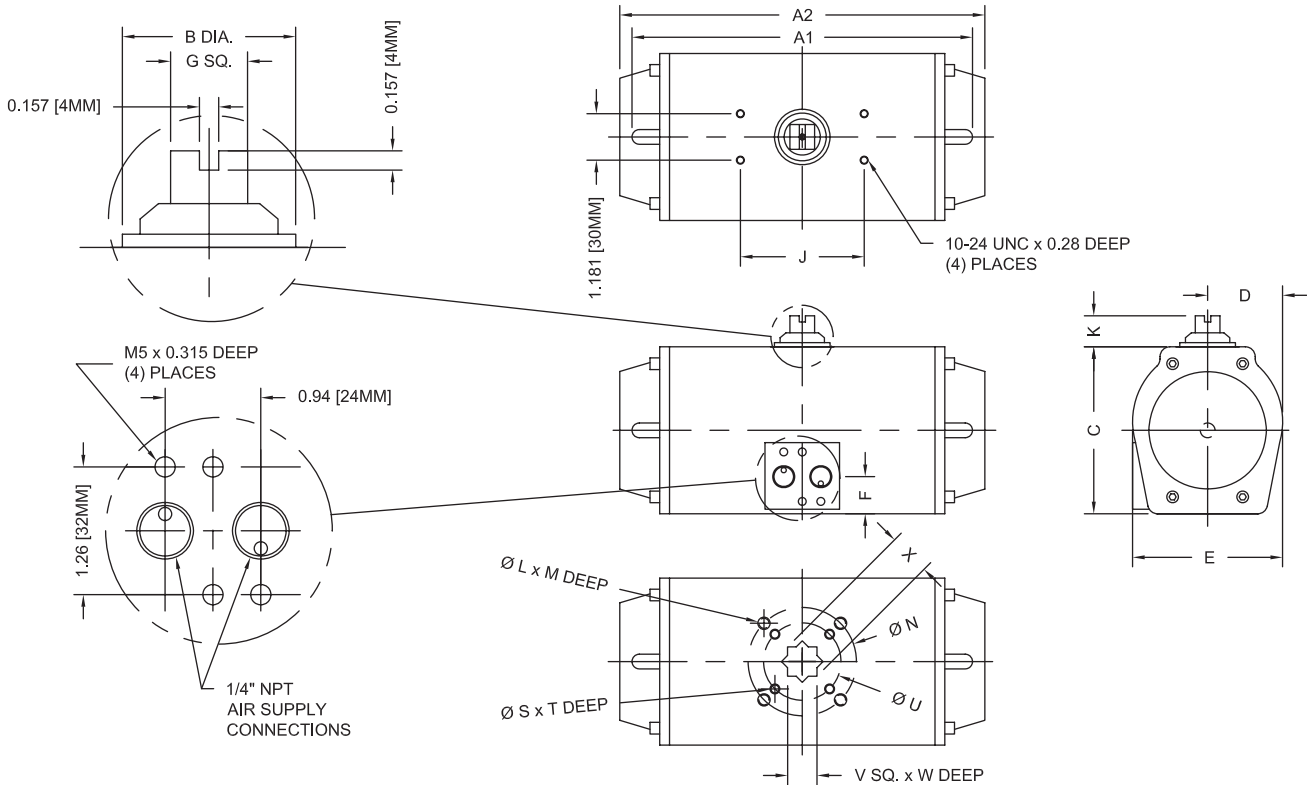
Bill of Materials

No.	Description	Qty.	Material
1	Cylinder Body	1	316 Stainless Steel
2	Piston	2	316 Stainless Steel
3	End Cap	2	316 Stainless Steel
4	Pinion	1	316 Stainless Steel
5	Guide Plate	2	Nylon
6	Pinion Bearing Top	1	PTFE
7	Pinion Bearing Bottom	1	PTFE
8	Snap Ring	1	Stainless Steel
9	Pinion O-ring Top	1	NBR (Nitrile Buna)
10	Pinion O-ring Bottom	1	NBR (Nitrile Buna)
11	Pinion Washer	1	Stainless Steel
12	Pinion PTFE Washer	1	PTFE
13	Piston Guide Band	2	PTFE
14	Piston O-ring	2	NBR (Nitrile Buna)
15	End Cap O-ring	2	NBR (Nitrile Buna)
16	End Cap Bolts	8	Stainless Steel
17	Travel Stop	2	Stainless Steel
18	Travel Stop O-ring	2	NBR (Nitrile Buna)
19a	Travel Stop Washer	2	Stainless Steel
19b	Travel Stop Nut	2	Stainless Steel
20	Travel Stop Bolt Cover	2	Stainless Steel
21	Spring Retainers Outer	*	Nylon
22	Spring Retainers Inner	*	Nylon
23	Spring	*	Steel Spring
24	Spring Screw	*	Stainless Steel
25	Spring Nut	*	Stainless Steel
26	Bearing	1	PTFE
27	Position Indicator	1	Plastic
28	Dust Plug	1	Rubber



Repair Kit		
Nitrile Buna	SSRKB (Actuator Size)	-20 Deg F ~ +175 Deg F
Viton	SSRKV (Actuator Size)	0 Deg F ~ +300 Deg F
Low Temp Buna	SSRKL (Actuator Size)	-45 Deg F ~ +175 Deg F

Dimensional Information



Actuator Size	DA A1	SR A2	B	C	D	E	F	G	J	K	L	M	N	S	T	U	V	W	X
SS45	6.54	7.56	1.22	2.56	1.15	2.56	0.83	0.633	3.15	0.787	1/4-20UNC	0.39	1.969	10-24UNC	0.28	1.417	0.433	0.58	0.766
SS60	7.00	7.34	1.22	3.18	1.39	2.92	0.91	0.632	3.15	0.787	N/A	N/A	N/A	1/4-20UNC	0.39	1.969	0.551	0.59	0.600
SS85	7.81	8.37	1.22	4.24	1.91	3.97	0.94	0.635	3.15	0.787	5/16-18UNC	0.47	2.756	1/4-20UNC	0.39	1.969	0.748	0.66	1.041
SS105	9.91	10.53	1.34	5.23	2.29	4.75	1.18	0.629	3.15	0.787	N/A	N/A	N/A	5/16-18UNC	0.47	2.756	0.866	0.77	1.041
SS125	11.66	12.20	1.97	6.09	2.69	5.39	1.18	0.865	5.12	1.181	3/8-16UNC	0.63	4.016	5/16-18UNC	0.47	2.756	0.866	0.97	1.190
SS140	14.17	19.29	1.97	6.89	3.11	6.26	1.37	0.865	5.12	1.181	1/2-13UNC	0.79	4.921	3/8-16UNC	0.63	4.016	1.063	1.18	1.470
SS160	14.56	22.05	1.97	7.72	3.74	6.85	1.30	0.865	5.12	1.181	1/2-13UNC	0.79	4.921	3/8-16UNC	0.63	4.016	1.063	1.18	1.470

SS Series Actuators (weights)

Actuator Size	Double Acting Lbs	Spring Return Lbs
SS45	5.0	5.5
SS60	8.0	8.5
SS85	14.0	14.5
SS105	25.5	27.0
SS125	38.5	40.5
SS140	63.5	65.5
SS160	80.0	83.0