



Floor Mounted Damper Drives

Pneumatic

Up to 35,000 in.-lbs. torque

Electric

Up to 26,000 in.-lbs. torque



A-T Controls, Inc.



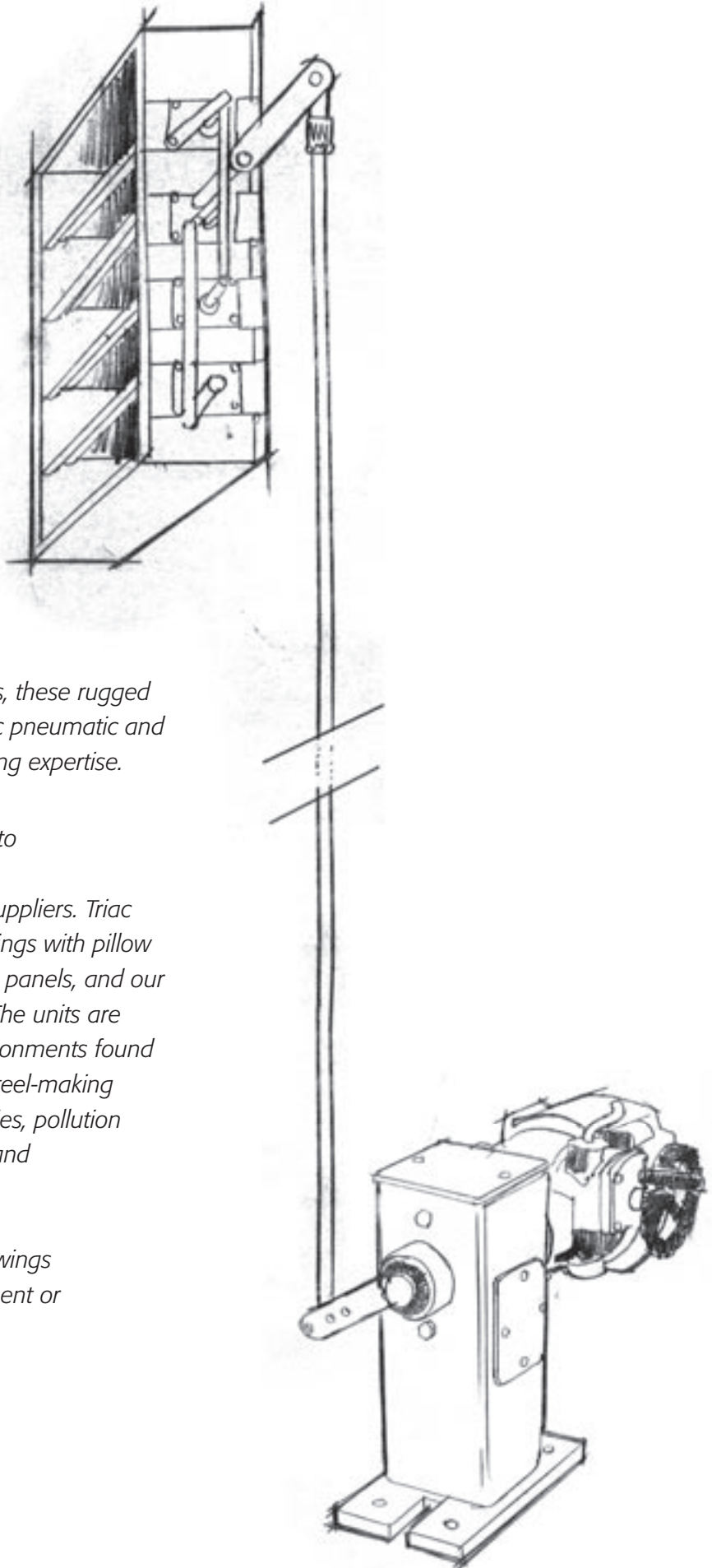
Floor Mounted Damper Drives

Triac floor mounted damper drives are the best choice for operating dampers, vanes and fan control where high vibration, heat, extreme cold, dust and inaccessibility render direct coupling of actuators to shafts impractical.

Available in pneumatic (on-off and modulating), and electric (24 VDC, 120 VAC 1-phase, 220 and 440 volt 3-phase configurations, these rugged drives combine industry proven Triac pneumatic and electric actuators with our engineering expertise.

The rugged frames can be ordered to dimensionally replace older drives manufactured by several previous suppliers. Triac frames consist of welded steel housings with pillow block bearings, maintenance access panels, and our unique infinite position lever arms. The units are tough enough for the harshest environments found in today's refineries, power plants, steel-making boiler rooms, water treatment facilities, pollution controls, pulp and paper industries and co-generation turbine units.

Contact A-T Controls for specific drawings and specifications for your replacement or new applications.





Pneumatic Damper Drive Options

Torque - 500 in.-lbs. to 35,000 in.-lbs.
 Solenoid Valves
 Limit Switches
 Positioners
 (4-20ma, Digital, Hart Protocol)
 Position Transmitters
 Manual Overrides
 Air Lockup Circuits
 High Temperature Seals
 Custom Connection Linkage



Electric Damper Drive Options

Torque - 500 in.-lbs. to 27,000 in.-lbs.
 24 VDC
 Single Phase
 3-phase
 On-off
 Modulating
 Custom Connection Linkage

Applications

Dampers
 Vanes
 Van Axial Fans
 ID Fans
 Louvers
 FD Fans
 ID Fans
 Seal Air Fans
 Process Heaters
 Reheat Dampers
 SCR Systems
 Fly Ash Systems
 Bottom Ash Hoppers
 Flap Gate
 Baghouse

How to Order

PNEUMATIC ACTUATOR	ORDER CODE
2R200DA @ 80 PSI = 1,431 IN*LBS	FD2R5D
2R300DA @ 80 PSI = 2,434 IN*LBS	FD2R6D
2R500DA @ 80 PSI = 3,498 IN*LBS	FD2R7D
2R850DA @ 80 PSI = 6,565 IN*LBS	FD2R8D
2R1200DA @ 80 PSI = 9,020 IN*LBS	FD2R9D
2R1750DA @ 80 PSI = 9,020 IN*LBS	FD2R0D
2R2500DA @ 80 PSI = 18,734 IN*LBS START	FD2RAD
2R3500DA @ 80 PSI = 35,864 IN*LBS START	FD2RBD

ARM LENGTH BY CUSTOMER

HOLE SIZE BY CUSTOMER

ACCESSORIES	
SOLENOID VALVE 120 VAC NEMA 4 / 4X	TVCS-X411-4N
SPEED CONTROLS	ESC
FILTER REGULATOR	FR100-1
LIMIT SWITCH NEMA 4	APL-210
3-15 POSITIONER	760P
4-20 MA POSITIONER NEMA 4	760E
4-20 MA POSITIONER W/ TRANSMITTER NEMA 4	760E-2
FLOW CONTROL VALVES	FC
LOCKUP VALVE	LV-1
MANUAL OVERRIDE	DGO

ELECTRIC ACTUATOR WEATHER PROOF	
WE-1350 = 1,350 IN*LBS	FDWEC
WE-1700 = 1,700 IN*LBS	FDWED
WE-2640 = 2,640 IN*LBS	FDWEE
WE-4400 = 4,400 IN*LBS	FDWEF
WE-5200 = 5,200 IN*LBS	FDWEG
WE-6900 = 6,900 IN*LBS	FDWEH
WE-10500 = 10,500 IN*LBS	FDWEJ
WE-17500 = 17,500 IN*LBS	FDWEK
WE-25900 = 25,900 IN*LBS	FDWEL

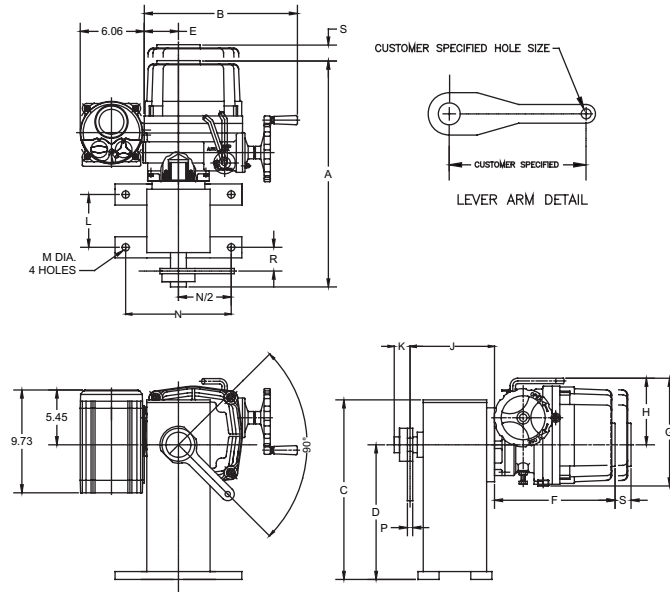
ARM LENGTH BY CUSTOMER

HOLE SIZE BY CUSTOMER

VOLTAGE	
120VAC/1PH	X
220VAC/1PH	E
220VAC/3PH	F
380/440VAC/3PH	H
460/480VAC/3PH	J

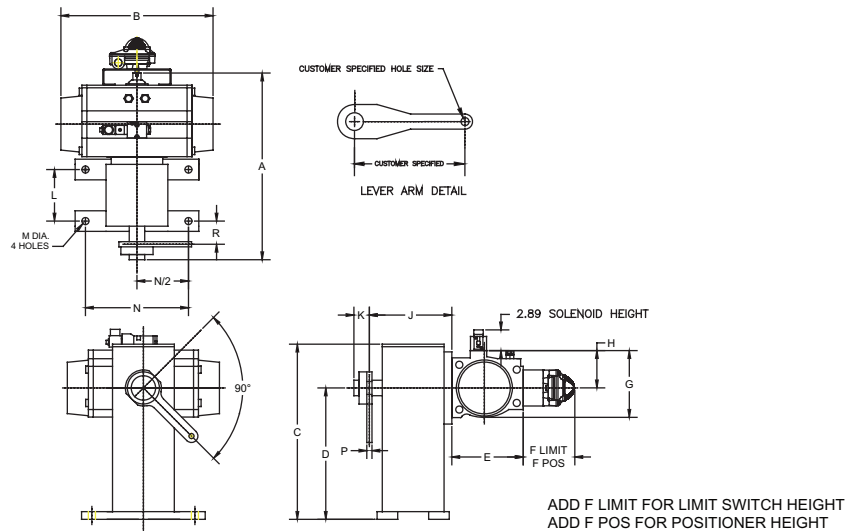
CONTROL	
2 POSITION CONTROL (OPEN/CLOSE)	
4-20 MA CONTROL	M
4-20 MA CONTROL W/ TRANSMITTER	MT

Dimensions



TRIAC Floor Drive with WE Series Actuators

ACTUATOR	A	B	C	D	E	F	G	H	J	K	L	M	N	P	R	S
WE-1350	20.05	13.31	17.00	12.75	2.87	10.55	9.02	5.59	8.00	1.50	5.00	0.68	10.00	0.50	1.81	6.30
WE-1700	20.05	13.31	17.00	12.75	2.87	10.55	9.02	5.59	8.00	1.50	5.00	0.68	10.00	0.50	1.81	6.30
WE-2640	20.92	14.49	17.00	12.75	3.23	11.42	10.20	6.30	8.00	1.50	5.00	0.68	10.00	0.50	1.81	7.09
WE-4400	21.47	14.49	17.00	12.75	3.23	11.97	10.20	6.30	8.00	1.50	5.00	0.68	10.00	0.50	1.81	7.09
WE-5200	21.47	14.49	17.00	12.75	3.23	11.97	10.20	6.30	8.00	1.50	5.00	0.68	10.00	0.50	1.81	7.09
WE-6900	22.67	16.14	17.00	12.75	4.06	12.99	11.69	7.32	8.31	1.37	5.00	0.68	12.00	0.75	2.06	8.27
WE-10500	22.67	16.14	17.00	12.75	4.06	12.99	11.69	7.32	8.31	1.37	5.00	0.68	12.00	0.75	2.06	8.27
WE-17500	34.80	16.14	24.25	18.00	4.06	22.17	12.56	7.32	10.38	2.25	7.00	0.81	16.00	1.00	2.38	8.27
WE-25900	34.80	16.14	24.25	18.00	4.06	22.17	12.56	7.32	10.38	2.25	7.00	0.81	16.00	1.00	2.38	8.27



TRIAC Floor Drive with 2R Series Actuators, Solenoid Valve, Limit Switch or Positioner

ACTUATOR	A	B	C	D	E	F POS	F LIMIT	G	H	J	K	L	M	N	P	R
2R200	15.57	11.51	17.00	12.75	5.28	7.97	4.24	5.06	2.89	8.00	1.50	5.00	0.68	10.00	0.50	1.81
2R300	16.47	13.92	17.00	12.75	6.18	7.97	4.24	5.91	3.35	8.00	1.50	5.00	0.68	10.00	0.50	1.81
2R500	17.61	15.20	17.00	12.75	6.93	8.37	4.64	6.50	3.70	8.00	1.50	5.00	0.68	10.00	0.50	1.81
2R850	18.59	21.01	17.00	12.75	7.91	8.37	4.64	6.89	3.90	8.00	1.50	5.00	0.68	10.00	0.50	1.81
2R1200	20.03	22.70	17.00	12.75	9.17	8.37	4.64	7.60	4.29	8.31	1.37	5.00	0.68	12.00	0.75	2.06
2R1750	20.98	24.67	17.00	12.75	10.12	8.37	4.64	8.31	4.72	8.31	1.37	5.00	0.68	12.00	0.75	2.06
2R2500	23.93	19.94	24.25	18.00	10.12	8.37	4.64	9.38	4.75	10.38	2.25	7.00	0.81	16.00	1.00	2.38
2R3500	23.93	25.44	24.25	18.00	10.12	8.37	4.64	9.38	4.75	10.38	2.25	7.00	0.81	16.00	1.00	2.38



Triac Division
 11363 Deerfield Rd.
 Cincinnati, Ohio 45242
 PHONE (513) 247-5465
 FAX (513) 247-5462
 e-mail: sales@a-controls.com
 www.a-controls.com