



Morin Direct Mount Data Sheet

MORIN

This Data sheet shows the actuator dimensions for the Morin MRP direct mount Rack and Pinion actuator.

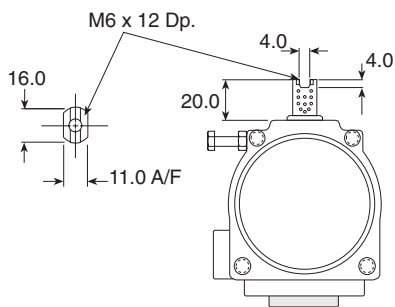
This actuator is designed to directly mount on valves that incorporate the Keystone Drilling without the need for mounting brackets.

The MRP is also available in the ISO standard for bracket mounting on all other types for valves



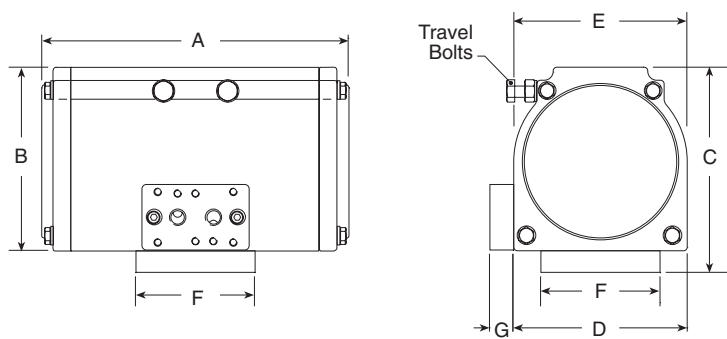
Dimensions

ISO/NAMUR Options



Note: Adapter kit to provide NAMUR top mount accessory drive is available. Bracket not included.

Actuator Envelope Dimensions

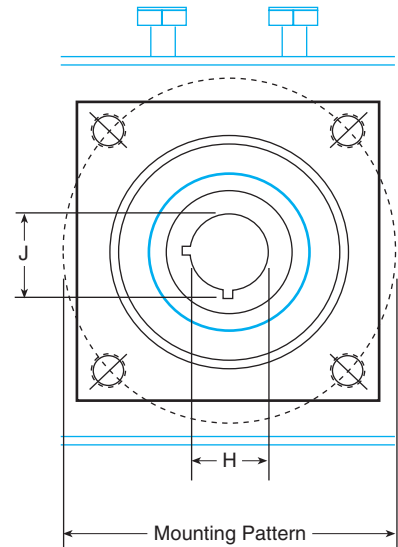


Model	A	B	C	D	E	F	G
004	6.46	3.68	4.08	3.03	3.03	2.96	0.63
009	7.67	4.81	5.20	4.18	4.18	3.15	0.63
014	8.11	5.44	5.83	4.59	4.59	3.15	0.63
025	9.53	6.44	6.83	5.48	5.65	4.41	0.63
037	11.23	7.27	7.66	6.00	6.44	4.57	0.63
045	13.13	7.88	8.33	6.50	6.88	4.57	0.63
070	15.51	9.06	9.45	7.73	8.07	5.00	0.63
088	16.44	10.00	10.39	8.51	8.72	5.91	0.63

## Actuator Mounting Dimensions

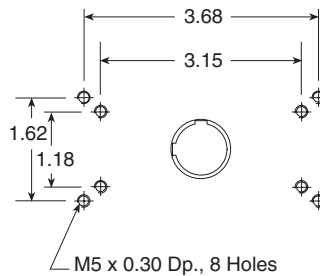
Actuator Size	Shaft Bore		Keyway		Mounting Pattern	
	H	J	Key Width	PCD	Mounting Holes	
004	0.813	0.866	0.189	1.75 3.25	4 x 1/4-20 UNC x 0.38 Dp. 4 x 3/8-16 UNC x 0.56 Dp.	
009	1.001	1.063	0.250	3.25	4 x 3/8-16 UNC x 0.56 Dp.	
014	1.001	1.063	0.250	3.25	4 x 3/8-16 UNC x 0.56 Dp.	
025	1.128	1.25	0.250	3.25 5	4 x 3/8-16 UNC x 0.56 Dp. 4 x 1/2-13 UNC x 0.63 Dp.	
037	1.128	1.25	0.250	3.25 5	4 x 3/8-16 UNC x 0.56 Dp. 4 x 1/2-13 UNC x 0.63 Dp.	
045	1.128	1.25	0.250	3.25 5	4 x 3/8-16 UNC x 0.56 Dp. 4 x 1/2-13 UNC x 0.63 Dp.	
069	1.38	1.523	0.315	5	4 x 1/2-13 UNC x 0.63 Dp.	
070	1.628	1.808	0.378	5	4 x 1/2-13 UNC x 0.63 Dp.	
087	1.628	1.808	0.378	5 6.5	4 x 1/2-13 UNC x 0.63 Dp. 4 x 3/4-10 UNC x 1.00 Dp.	
088	1.882	2.055	0.504	5 6.5	4 x 1/2-13 UNC x 0.63 Dp. 4 x 3/4-10 UNC x 1.00 Dp.	

1. 004, 025, 045, 037 and 088 base plates are all dual drilled.



## Top Mount Accessory Pad Dimensions

Model	Shaft Bore H1	Keyway J1	Key Width
004	0.814	0.855	0.189 (3/16" Square Key)
009	1.000	1.060	0.252 (1/4" x 3/16" Key)
014	1.000	1.060	0.252 (1/4" x 3/16" Key)
025	1.120	1.250	0.252 (1/4" x 1/4" Key)
037	1.120	1.250	0.252 (1/4" x 1/4" Key)
045	1.120	1.250	0.252 (1/4" x 1/4" Key)
070	1.120	1.250	0.252 (1/4" x 1/4" Key)
088	1.120	1.250	0.252 (1/4" x 1/4" Key)



## Solenoid Valve Mounting Pad

