



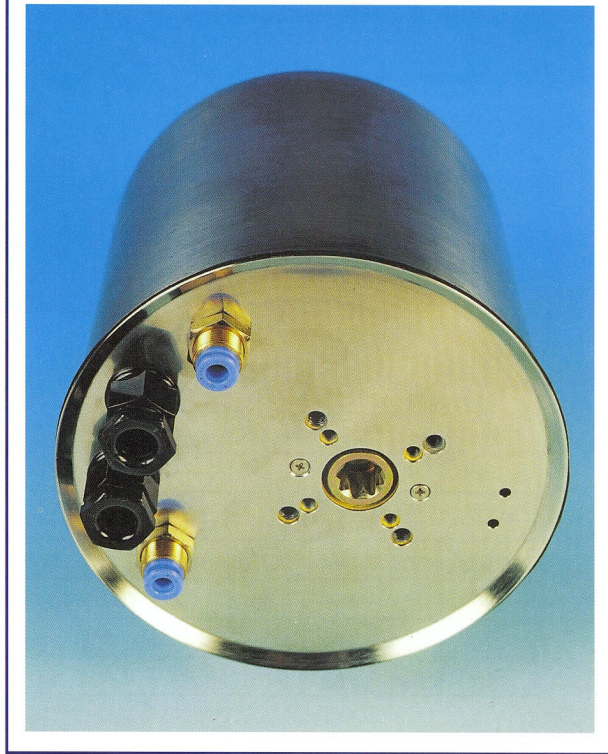
KINETROL

STAINLESS STEEL ENCLOSURE

The Kinetrol Stainless Steel Enclosure provides reliable double acting and fail-safe spring return quarter turn actuation in a clean and hygienic design.

FEATURES

- ◆ Corrosion resistant - 316 Stainless Steel.
- ◆ All the benefits of Kinetrol vane actuators - robust, high reliability, low maintenance.
- ◆ Four double acting models available with torques up to 2280 lbf.ins/261 Nm at 100 psi 7bar.
- ◆ Four fail-safe spring return models available with torques up to 925 lbf.ins/104 Nm at 80 psi/5.5 bar.
- ◆ Suitable for sterilisation with steam or chemical methods.
- ◆ 3 port/5 port pilot solenoid valve option.
- ◆ Limit switch option for reliable open/close indication (fully adjustable).
- ◆ Smooth profile lid - no retaining screws on top.
- ◆ IP 65 rating.
- ◆ ISO/521 flange/drive with many direct mount possibilities.
- ◆ Easy access for installation and maintenance.
- ◆ Fully adjustable end stops.
- ◆ Indication options available include clear cone visual monitor or red/green LED visual indication.



TECHNICAL SPECIFICATION

- CASING - 316 stainless steel.
- TEMPERATURE RANGE
 - Standard -20°C to 80°C.
- CABLE ENTRY - M20
- LIMIT SWITCHES:
 - Code -004 - 2 microswitches wired SPDT
 - Code -007 - 4 microswitches wired DPDT
 - Code -001 - 2 intrinsically safe inductive proximity sensors for hazardous areas to zone 0.
- SOLENOIDS
 - Coil voltage options:
 - AC: 24,115 & 230 volts
 - DC: 24 volts
 - Minimum Air Supply:
 - 2 bar
- CASING SEALS - Nitrile rubber.
- PNEUMATIC CONNECTION
 - 2 x Ø6 nylon tube.

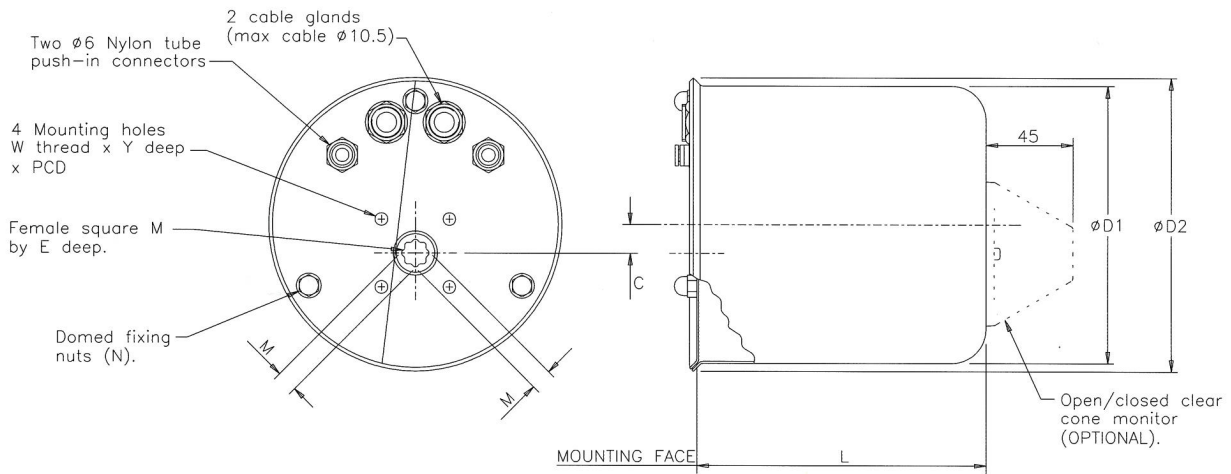
KINETROL

Kinetrol Ltd, Trading Estate, Farnham, Surrey GU9 9NU, England.
Telephone: 01252-733838 Fax: 01252-713042
E-mail: sales@kinetrol.com Web Site: sales@kinetrol.com



KINETROL

STAINLESS STEEL ENCLOSURE



DIMENSIONS											
MODEL	L mm	ØD1 mm	ØD2 mm	C mm	DIN/ISO Flange No.	W	Y mm	PCD	ØM mm	E mm	N
030	151	144	152.5	15	F03, F05	M5, M6	10, 10	36, 50	11	13.5	3
050	157	161	170	11.4	F03, F05, F07	M5, M6, M8	10, 10, 13	36, 50, 70	14	17	3
070	225	201	212.5	19	F05, F07	M6, M8	14, 14	50, 70	17	20	4
090	260	260	275	17.3	F07, F10	M8, M10	20, 20	70, 102	22	26	4

OUTPUT TORQUES

SPRING RETURN TORQUE OUTPUTS - Metric Units Nm									
Actuator Model	Position of air OR spring return stroke	3.5	3.8	4.1	4.5	4.8	5.2	5.5	
		03-120	Start	6.3	6.9	7.5	8.1	8.9	9.5
	Finish	4.1	4.7	5.5	6.4	7.2	7.8	8.7	
05-120	Start	13.0	14.1	15.3	16.4	18.1	19.2	20.9	
	Finish	8.5	9.6	11.3	13.0	14.7	15.8	17.5	
07-120	Start	30.5	33.9	37.3	40.7	43.5	46.9	50.8	
	Finish	19.8	23.7	27.1	30.5	34.4	38.4	42.4	
09-120	Start	61.0	67.8	74.6	81.9	89.3	96.6	104.0	
	Finish	50.3	56.5	63.8	71.2	79.1	86.4	93.8	

DOUBLE ACTING TORQUE OUTPUTS - Metric Units Nm												
Actuator Model	1.5	2.0	2.5	3.0	3.5	4.0	4.5	5.0	5.5	6.0	6.5	7.0
03-100	3.9	5.8	7.6	9.6	11.5	13.4	15.4	17.4	19.3	21.3	23.2	25.3
05-100	9.0	12.5	16.5	20.0	24.0	27.5	31.5	35.0	39.0	43.0	46.5	50.5
07-100	22.0	30.5	39.5	48.5	57.5	66.5	76.0	85.5	95.0	105.0	114.0	124.0
09-100	46.0	64	83.0	102.0	121.0	140.0	159.0	179.0	199.0	220.0	241.0	261.0

ORDERING CODES

To be advised